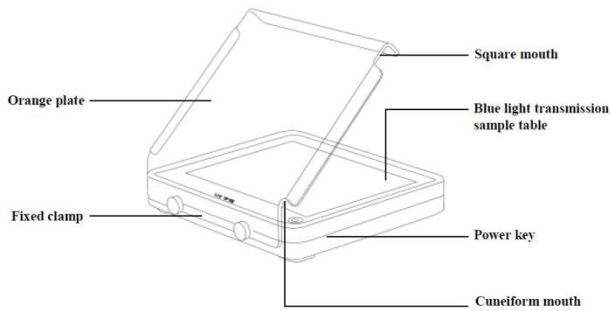


# Product Information

## BluEye™ Blue light glue cutter

Catalog Number: B2042

### Description



### Protocol

1. Place the blue light glue cutter on a horizontal and stable table.
2. Put the orange plate in the fixed clamp. During observation, the square mouth needs to be installed into the fixed clamp, and the observation is made from the top of the orange light plate. When cutting the glue, install the cuneiform mouth into the fixed clamp, and extend both hands to the blue light transmission sample table from the back of the orange plate.
3. Put the gel on the blue light transmission sample table, click the power key, and turn on the light source.

